



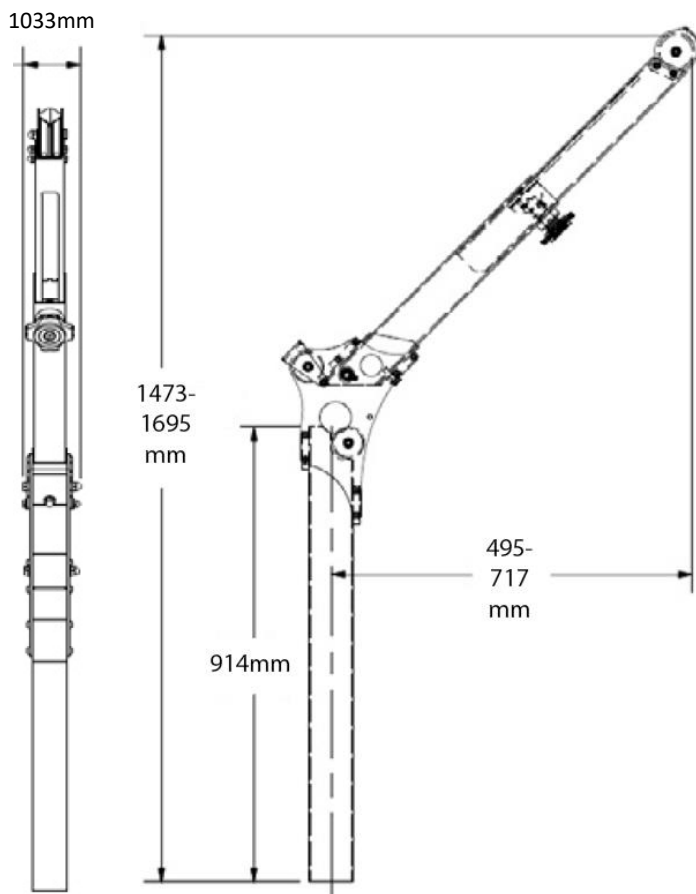
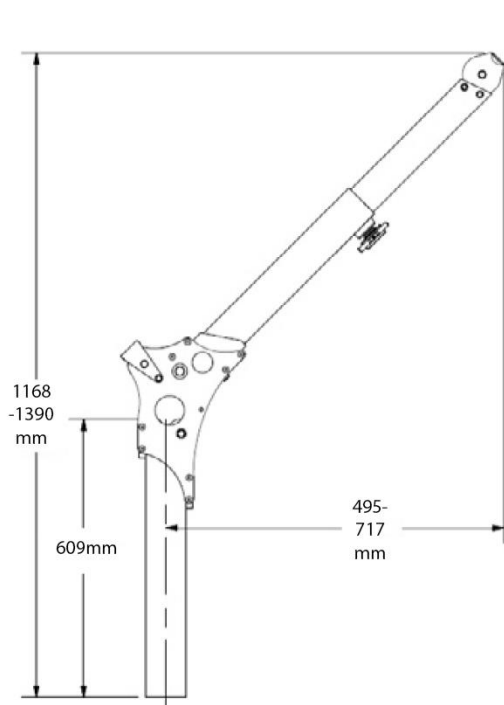
DAVIT

- Anchorage system for confined spaces designed to be used by 1 operator or 2 operators in vertical rescue.
- Its installation from joints and without tools, makes it fast and comfortable.
- For confined spaces between 1m and 1.7m.

Norm	EN 795 B	
Length (mm)	1170-1400	1475-1695
Weight (Kg)	9,5	11,4
Load (Kg)	140 (240 on rescue)	
Resistance	10 kN	
Users	2	
Lifetime (years)	Unlimited	

Materials

Body	Aluminium
Structure	Steel



DAVIT ARM

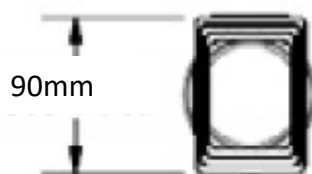
Base that adapts to the mouth/circular access by means of easy adaptation and adjustment clips.

Norm	EN 795 B	
Length (m)	1170-1400	1475-1695
Weight (Kg)	9,5	11,4
Load (Kg)	140 (240 on rescue)	
Resistance	10 kN	
Lifeline (years)	Unlimited	

Materials	
Body	Aluminium
Structure	Steel



258mm



90mm

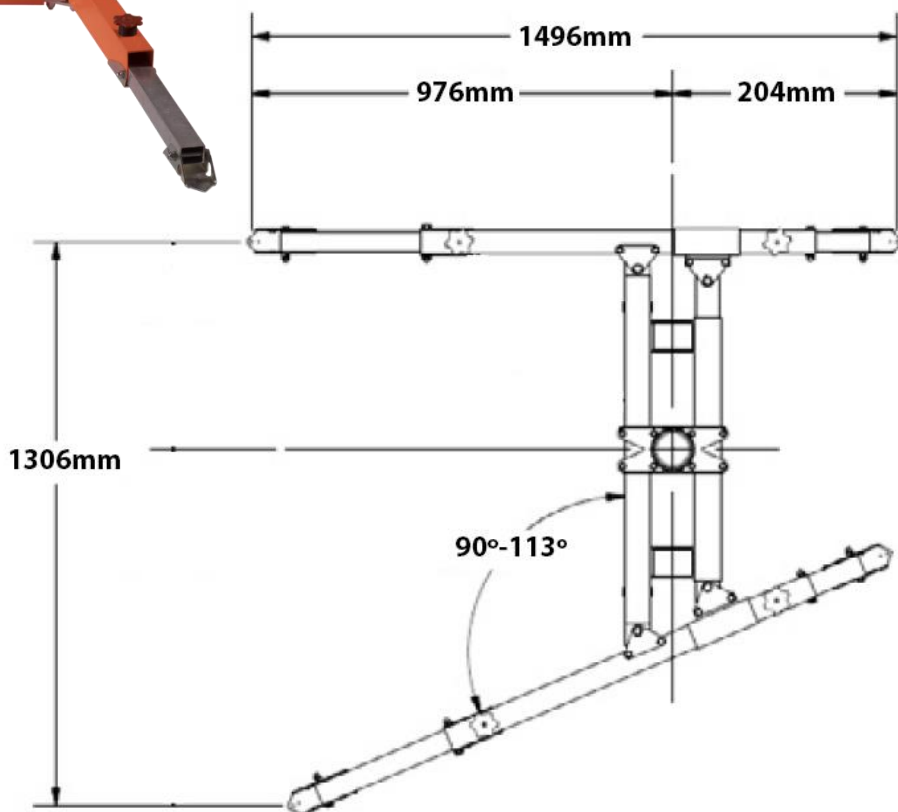
DAVIT PT

Post to adapt to Side Entry and base plates.

Length (m)	1016	1320
Weight (Kg)	5,40	7,30
Lifeline (years)	Unlimited	

Materials

Body	Aluminium
------	-----------



DAVIT BASE

Adjustable articulated base.

Weight (Kg)	27,7
Lifeline (years)	Unlimited

Materials

Body	Aluminium
Structure	Steel

DAVIT BASE 2



Base to be installed on the floor. Diameter of 305mm. 8 holes of 10.4mm.

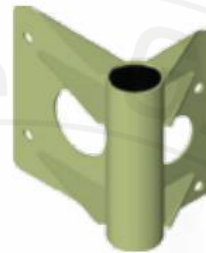
Materials

Body

Steel



Base to be installed on the wall, with 3 points of adjustment.



Base to be installed in a corner or cement corner.

Base to be installed on the wall, with 4 points of adjustment.



Base to be installed on a steel corner or steel corner.



Embedded base for installation in cement.

Base to be embedded in soft cement.